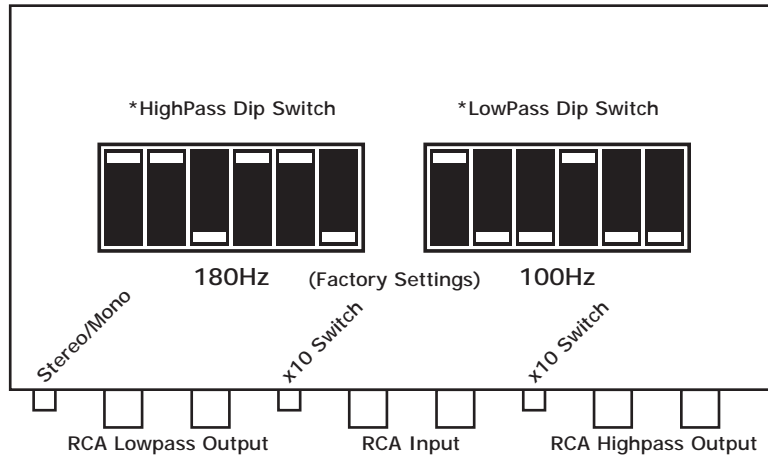


Sedona XO-2



*PLEASE NOTE THAT THE HIGHPASS AND LOWPASS SWITCHES ARE LOCATED OPPOSITE TO THEIR RCA OUTPUT LOCATIONS.

Frequency Selection



70Hz



100Hz



150Hz



180Hz



350Hz



400Hz



450Hz



500Hz

Specifications

Input Impedance:	10k Ohm	Green Wire:	+12Volts
Input Sensitivity:	.1-3 Volts	Black Wire:	Ground
Output Load:	2k-10k Ohm	Blue Wire:	Remote
Crossover Slope:	12dB/Octave		
PassBand Gain:	Unity Gain		
Distortion:	<.01%		
S/N Ratio:	>98dB		
Power Requirement:	11-16 Volts		
Dimensions:	6.6" x 3.75" x 1"		

Example:

All Switches are in the on Position

