



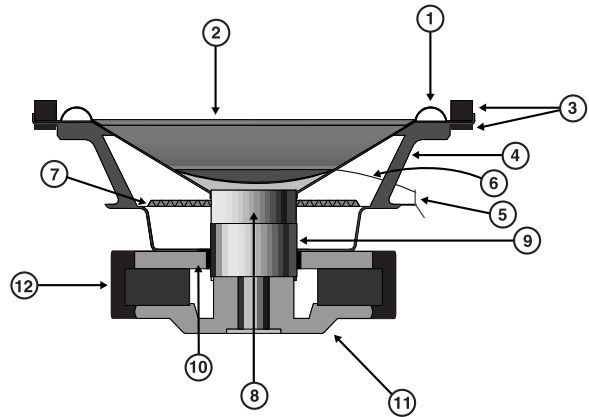
Congratulations and thank you for purchasing the new **PPI** woofers. At **PPI** we are proud to introduce this exciting line of outstanding sounding products. We have spent the past 15 years developing the most innovative and state of the art products on the market. The **PPI** products continue this design and construction philosophy by offering superior features and performance greater than that of our competition.

Included in this manual are a number of different enclosure suggestions. By no means are these the only enclosures to use, but they are a great starting point. To determine the correct enclosure for your needs many factors must be addressed (amount of power, vehicle, placement, crossovers, etc.) Therefore, as always, **PPI** recommends that your subwoofer be installed by an Authorized **PPI** Dealer.

**CAUTION!** The extended use of a high powered audio system may result in hearing loss or damage. While **PPI** systems are capable of "Concert Level" volumes, they are also designed for you to enjoy all of the creative expressions made by musicians at more reasonable levels. Please stay seated while driving and observe all local sound ordinances.



## Features



- |  |   |
|--|---|
| <ol style="list-style-type: none"> <li>1. Progressive Butyl Rubber Surround</li> <li>2. PolyCarbon Cone</li> <li>3. Closed-cell Foam Gaskets</li> <li>4. Deep Draw Steel Basket</li> <li>5. Gold Plated Terminals</li> <li>6. High Current Silver Plated Tinsel Leads</li> </ol> | <ol style="list-style-type: none"> <li>7. Flat Spider</li> <li>8. Kapton Voice Coil Former</li> <li>9. Long Wind 4 Layer Voice Coil</li> <li>10. 10mm Frontplate</li> <li>11. Backplate/Extended Pole</li> <li>12. Protective Magnet Cover</li> </ol> |
|--|---|

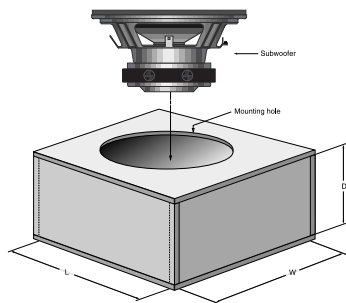
## Specifications

	<b>PPI 8</b>	<b>PPI 10</b>	<b>PPI 12</b>	<b>PPI 15</b>
Power RMS	100W	150W	150W	150W
Peak Power	200W	300W	300W	300W
Qts	.40	.40	.52	.50
FS	37.7Hz	33.4Hz	29.5Hz	22.7Hz
VAS	24.62L	50.44L	124.79L	322.53L
Xmax	6.25mm	7.83mm	7.83mm	7.83mm
Sensitivity	86.7dB	87.9dB	89.4dB	90.3dB
Mounting Depth	3.25"	4.875"	5.375"	6.375"
Mounting Hole Diameter	7.375"	9.25"	11.00"	13.75"
Displacement	.04cuft	.065cuft	.075cuft	.09cuft
Net weight	5.7lbs	8.2lbs	8.5lbs	10.5lbs

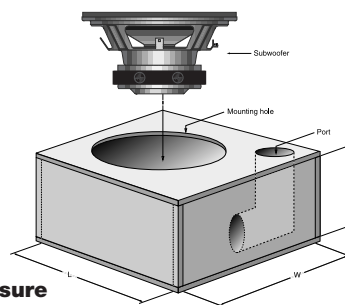
# Enclosure Recommendations

Model #	Volume	Sealed Internal Dim.	Volume	Ported Internal Dim.
<b>PPI 8</b>	.5	9.5"Wx13.5"Lx7.25"D	.5	9.5"Wx13.5"Lx7.37"D <i>Port: 2"dia x 4"long</i>
<b>PPI 10</b>	.75	12.5"Wx13.5"Lx8.375"D	.75	13"Wx13.5"Lx8.5"D <i>Port: 3"dia x 8.5"long</i>
<b>PPI 12</b>	1.25	21.25"Wx13.5"Lx8"D	1.25	21.5"Wx13.5"Lx8.135"D <i>Port: 3"dia x 5"long</i>
<b>PPI 15</b>	2.0	20"Wx22.5"Lx8"D	2.0	20.25"Wx22.5"Lx8"D <i>Port: 4"dia x 5"long</i>

Internal dimensions should be calculated to determine the correct box volume. Be sure to allow for speaker displacement (extra bracing/port displacement if used). It may be necessary to angle the port to fit your design. To calculate the volume of the port:  $Radius Sq. \times 3.14 \times port\ length$ .



**Sealed enclosure diagram**



**Ported enclosure diagram**



## 3-Year Limited U.S.A. Warranty



This warranty gives you specific legal rights, and you may also have other rights which vary from state to state. **PrecisionPower, Inc. (PPI)** warrants its products to be free from defects in materials and workmanship under normal use and service for a period of three (3) years from the date of original purchase when the unit is installed by an Authorized Dealer. Non-Authorized Dealer installed products carry a one (1) year parts and ninety (90) days labor limited warranty. The extent and conditions of Limited Warranty are as follows:

1. Authorized Dealer Installed Products: **PPI** will either repair or replace at no charge, to the original purchaser, any unit which **PPI's** examination discloses to be defective and under warranty, provided the defect occurs within three (3) years from the date of original purchase when the unit is installed by an Authorized Dealer and the product is returned immediately to **PPI**. This warranty is not transferable.
2. Non-Authorized Dealer Installed Products: **PPI** will either repair or replace at no charge, to the original purchaser, any unit which **PPI's** examination discloses to be defective and under warranty, provided the defect occurs within ninety (90) days from the date of purchase and the product is returned immediately to **PPI**. Warranty claims beyond ninety (90) days for Non-Authorized Dealer Installed Products will be for parts only and will extend for one (1) year from the date of purchase. This warranty is not transferable.
3. The date of purchase and proof of Authorized Dealer Installation of a **PPI** product must be established by an original sales receipt which must accompany the article being returned for warranty work.
4. This warranty shall NOT apply to any **PPI** product found to have the original factory serial number removed or defaced. All products received (by **PPI**) for in warranty or out of warranty repair, with their original serial numbers removed or defaced, will NOT be repaired and will be returned to sender, freight collect. Refer to original packaging for the serial number of your component speakers.
5. The provisions of this warranty shall not apply to any **PPI** product used for a purpose for which it is not designed, which has been repaired or altered in any way, or which has been connected, installed, or adjusted other than in accordance with the instructions furnished in PPI's owner's manual. Nor shall this warranty apply to any part which has been subject to misuse, neglect, or accident.
6. **PPI** does not authorize any other persons to assume any other liability in connection with its products. THIS WARRANTY IS THE ONLY EXPRESS WARRANTY MADE BY PRECISIONPOWER APPLICABLE TO ITS PRODUCTS. ANY IMPLIED WARRANTY OR MERCHANTABILITY OR FITNESS FOR A PARTICULAR PURPOSE APPLICABLE TO PRECISIONPOWER PRODUCTS IS LIMITED IN DURATION TO THE DURATION OF THIS LIMITED WARRANTY. PRECISIONPOWER SHALL NOT BE LIABLE FOR THE INCIDENTAL, CONSEQUENTIAL, OR COMMERCIAL DAMAGES RESULTING FROM THE BREACH OF THIS WRITTEN WARRANTY. Some states or provinces do not allow the exclusion or limitation of incidental or consequential damages or limitations on how long an implied warranty lasts; so the above limitations or exclusions may not apply to you.
7. Your product will be serviced on an in-warranty basis within the warranty period for the correction of warranted defects. If improper operation of your **PPI** product should occur, contact your Authorized Dealer for assistance with the return and factory repair of your **PPI** product. If an Authorized Dealer is not available, return the unit including your name, telephone number, return address, a copy of your sales receipt, and a description of the problem to:

*PrecisionPower, Inc.*  
Service Department  
4829 S. 38th Street  
Phoenix, AZ 85040-2964

TO RETURN **PPI** PRODUCTS OUT OF WARRANTY: Return the unit, postage prepaid, in the original protective carton. Please include a description of the problem and, if desired, a request for an estimate of repair costs. Unless a request for an estimate is included, the unit will be repaired as necessary. Please contact **PPI** Customer Service at 1-800-62-POWER for questions concerning out of warranty repair charges. Repaired unit will be returned with an itemized statement, C.O.D.

